

Silencers

- Industrial
- Residential
- Critical Residential



ABN 41 010 562 759

Industrial and residential rated silencers are constructed from HRCQ sheet steel and fully welded construction.

Critical Residential silencers are manufactured with a double wrapped body - external material being 1.6mm aluminised steel.

Internal components are adequately stiffened and braced to minimise vibration.

Flanges are to British Standard Table "D".

All external surfaces are finished with high quality silicone-based heat-resistant aluminium paint which provides lasting protection with operating temperatures of 1,000°F.

Optional extras include

- Matching flange kit, comprising two companion flanges, two high-temperature gaskets, plus nuts and bolts.
- Silencer support brackets.
- Tail pipes, transition pieces, ducting, complete exhaust systems
- Stainless steel expansion bellows.
- Custom-designed silencers for special applications.

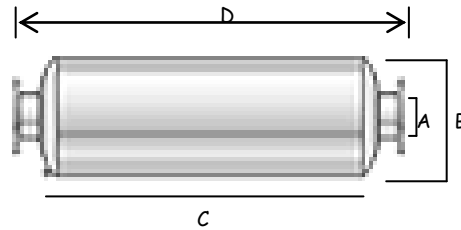
A large variety of silencers is available for Residential, Industrial, Construction, Mining & Marine applications.

Due to their complexity it is suggested our staff be consulted to assist in a suitable selection.

Table of Contents

Industrial RIE	Page 4
Industrial RIS	Page 5
Residential RRE.....	Page 6
Residential RRS.....	Page 7
Critical CRE	Page 8
Critical CRS	Page 9
Notes	Page 10
Contact Us	Page 11

INDUSTRIAL - RIE SERIES



End-In, End-Out Design

Medium degree chamber-type silencer for industrial area applications where background noise is relatively high. Attenuation between 12-18 dBA expected.

This silencer can be installed vertically, horizontally or inclined without affecting performance, can also be supplied with side outlet connection if required.

√ Two or four cycle reciprocating engine intakes and exhausts

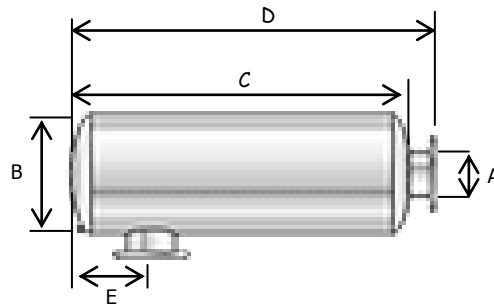
√ Positive displacement blower intakes and discharges

√ Vacuum pump discharge

√ Air compressor intakes.

PART NO RIE SERIES	Dim A	Dim B	Dim C	Dim D
RIE050	50	250	500	660
RIE063	63	250	500	660
RIE076	76	305	610	760
RIE089	89	305	610	760
RIE101	101	350	660	810
RIE127	127	400	910	960
RIE150	150	460	910	1060
RIE200	200	560	1220	1400
RIE250	250	660	1295	1470
RIE305	305	760	1520	1700
RIE350	350	910	1700	1880
RIE400	400	1020	1830	2010
RIE460	460	1170	2140	2340

INDUSTRIAL- RIS SERIES



Side-In, End-Out Design

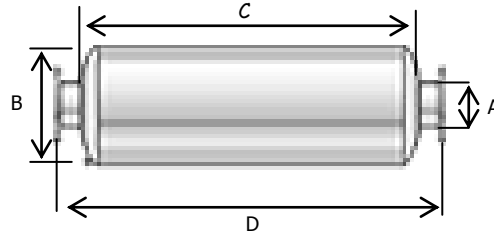
Medium degree chamber-type silencer for industrial area applications where background noise is relatively high. Attenuation between 12-18 dBA expected.

This silencer can be installed vertically, horizontally or inclined without affecting performance, can also be supplied with side outlet connection if required.

- √ Two or four cycle reciprocating engine intakes and exhausts
- √ Positive displacement blower intakes and discharges
- √ Vacuum pump discharge
- √ Air compressor intakes.

PART NO RIS SERIES	Dim A	Dim B	Dim C	Dim D	Dim E
RIS050	50	250	500	660	127
RIS063	63	250	500	660	150
RIS076	76	305	610	760	150
RIS089	89	305	610	760	175
RIS101	101	350	660	810	230
RIS127	127	400	910	960	230
RIS150	150	460	910	1060	250
RIS200	200	560	1220	1400	300
RIS250	250	660	1295	1470	350
RIS305	305	760	1520	1700	400
RIS350	350	910	1700	1880	450
RIS400	400	1020	1830	2010	500
RIS460	460	1170	2140	2340	560

RESIDENTIAL - RRE SERIES

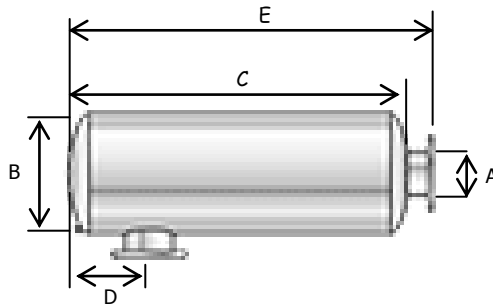


End-In, End-Out Design

- √ Residential grade silencer between 18 - 28 dBA attenuation
- √ 3mm mild steel construction
- √ Table D flanges standard
- √ Can be installed vertically or horizontally
- √ Also available with end inlet (RRS Series)
- √ Baffled construction

PART NO RRE SERIES	Dim A	Dim B	Dim C	Dim D
RRE050	50	300	910	1060
RRE063	63	300	1010	1160
RRE076	76	350	1120	1275
RRE089	89	350	1120	1275
RRE100	101	400	1140	1290
RRE127	127	460	1400	1550
RRE152	150	560	1525	1675
RRE200	200	660	1830	2006
RRE250	250	760	2340	2515
RRE305	305	910	2740	2920
RRE350	350	1010	3300	3475
RRE400	400	1170	3860	4035

RESIDENTIAL - RRS SERIES

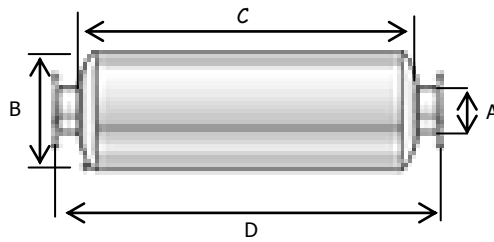


Side-In, End-Out Design

- √ Residential grade silencer between 22 - 28 dBA attenuation
- √ 3mm mild steel construction
- √ Table D flanges standard
- √ Can be installed vertically or horizontally
- √ Also available with end inlet (RRE Series)
- √ Baffled construction

PART NO RRS SERIES	Dim A	Dim B	Dim C	Dim D	Dim E
RRS050	50	300	910	150	985
RRS063	63	300	1010	150	1085
RRS076	76	350	1120	175	1195
RRS089	89	350	1120	229	1195
RRS100	101	400	1140	229	1215
RRS127	127	460	1400	229	1475
RRS152	150	560	1525	254	1600
RRS200	200	660	1830	305	1915
RRS250	250	760	2340	356	2425
RRS305	305	910	2740	406	2830
RRS350	350	1010	3300	457	3385
RRS400	400	1170	3860	508	3945

CRITICAL - CRE SERIES

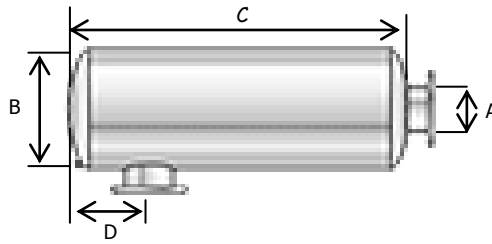


End-In, End-Out Design

- √ Critical grade silencer 26 - 32 dBA attenuation
- √ Double wrapped body
- √ 1.6mm aluminised steel construction up to CRE250, then 3mm mild steel
- √ Perforated inner body with ceramic blanket
- √ Table D flanges standard
- √ Can be installed vertically or horizontally
- √ Also available with side inlet (CRS Series)
- √ Baffled construction

PART NO CRE SERIES	Dim A	Dim B	Dim C	Dim D
CRE050	50	350	910	1060
CRE063	63	350	1010	1160
CRE076	76	400	1120	1275
CRE089	89	400	1120	1275
CRE100	101	460	1145	1290
CRE127	127	510	1400	1550
CRE152	150	610	1525	1675
CRE200	200	710	1839	2006
CRE250	250	810	2340	2515
CRE305	305	953	2740	2920
CRE350	350	1060	3300	3475
CRE400	400	1220	3860	4035

CRITICAL - CRS SERIES



Side-In, End-Out Design

- √ Critical grade silencer 26 - 32 Db attenuation
- √ Double wrapped body
- √ 1.6mm aluminised steel construction up to CRS250, then 3mm mild steel
- √ Perforated inner body with ceramic blanket
- √ Table D flanges standard
- √ Can be installed vertically or horizontally
- √ Also available with end inlet (CRE Series)
- √ Also available with side outlet CRSS Series
- √ Baffled construction

PART NO CRS SERIES	Dim A	Dim B	Dim C	Dim D
CRS050	50	350	910	150
CRS063	63	350	1010	150
CRS076	76	400	1120	175
CRS089	89	400	1120	229
CRS100	101	460	1145	229
CRS127	127	510	1400	229
CRS152	150	610	1525	254
CRS200	200	710	1839	305
CRS250	250	810	2340	356
CRS305	305	953	2740	406
CRS350	350	1060	3300	457
CRS400	400	1220	3860	508

CONTACT US



07 3274 2666

Fax 07 3275 2836



sales@nelsonexhaust.com.au

parts@nelsonexhaust.com.au



www.nelsonexhaust.com.au

Nelson Exhaust (Qld) Pty Ltd
Unit 4 / 1909 Ipswich Road
Rocklea Qld 4106



ABN 41 010 562 759